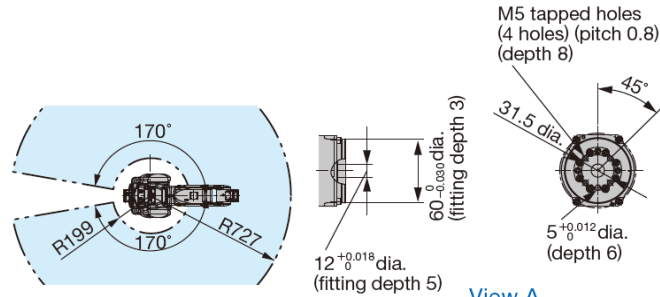
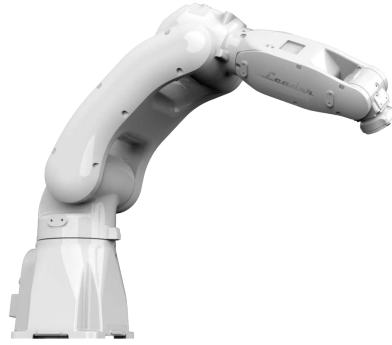
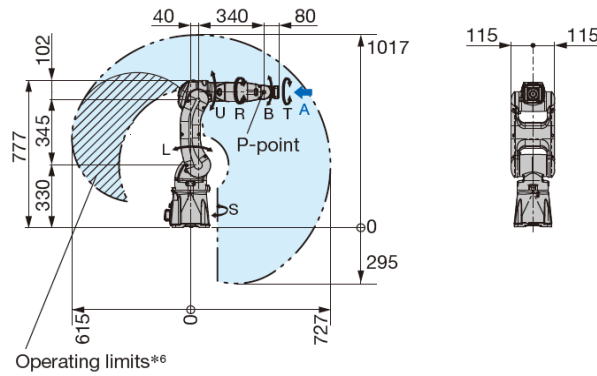


GP8



View A



Operating limits*6

Model	MOTOMAN-GP8	
Controlled Axis 自由度	6 (vertically articulated)	
Payload 最大負載	8 kg	
Maximum Reach 範圍	727 mm	
Repeatability*1 重複定位精度	0.01 mm	
Range of Motion 運動範圍	S-axis (turning)	-170° - +170°
	L-axis (lower arm)	-65° - +145°
	U-axis (upper arm)*2	-70° - +190°
	R-axis (wrist roll)	-190° - +190°
	B-axis (wrist pitch/yaw)	-135° - +135°
	T-axis (wrist twist)	-360° - +360°
Maximum Speed 最大速度	S-axis (turning)	7.94 rad/s, 455° /s
	L-axis (lower arm)	6.72 rad/s, 385° /s
	U-axis (upper arm)	9.07 rad/s, 520° /s
	R-axis (wrist roll)	9.59 rad/s, 550° /s
	B-axis (wrist pitch/yaw)	9.59 rad/s, 550° /s
	T-axis (wrist twist)	17.45 rad/s, 1000° /s
Allowable Moment 容許力矩	R-axis (wrist roll)	17 N·m
	B-axis (wrist pitch/yaw)	17 N·m
	T-axis (wrist twist)	10 N·m
Allowable Inertia (GD ² /4) 容許慣量	R-axis (wrist roll)	0.5 kg·m ²
	B-axis (wrist pitch/yaw)	0.5 kg·m ²
	T-axis (wrist twist)	0.2 kg·m ²
Approx. Mass 重量	32 kg	
IEC Protection Class 防護等級	IP67	
Ambient Conditions 環境條件	Temperature 溫度	0°C to +45°C
	Humidity 濕度	20% to 80%RH (non-condensing)
	Vibration 振動	4.9 m/s ² (0.5 G) or less
	Altitude 高度	1000 m or less
Power Requirements*3 電源要求	1.0 kVA	
Mounting*4 安裝	Floor, ceiling, wall, tilt	

*1: Conforms to ISO 9283.

*2: The range of motion of the U-axis itself. Not with respect to the ground.

*3: Varies in accordance with applications and motion patterns.

*4: There are motion limitations on S-axis for wall, tilt mounting type.

*1: 符合ISO 9283.

*2: 軸本身的運動範圍。與地面無關。

*3: 根據應用和運動模式而變化。

*4: 牆壁，傾斜安裝類型的S軸有運動限制。